

**M12 male 90° / RJ45 0° shielded Ethernet**

PUR 2x2xAWG22 shielded gn UL/CSA 7,5m

Ethernet CAT5

The resistance to aggressive media should be individually tested for your application. Further details on request.

Male 90° – male straight

M12 – RJ45, 4-pole

D-coded

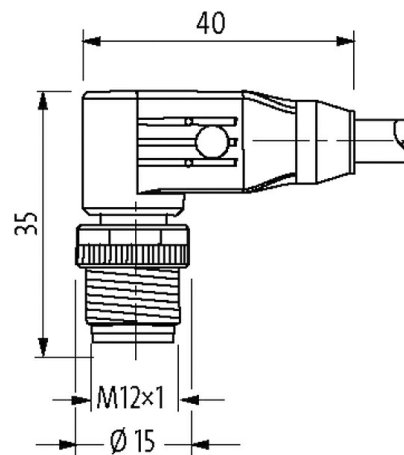
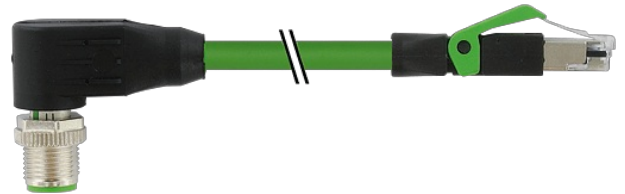
shielded

8-pole partly used

Transmission properties with channel transmission up to 100 m

Further cable lengths on request.

Plastic housings with good resistance against chemicals and oils.

**[Link to Product](#)****Illustration**

Product may differ from Image

**Approvals**

\* only for products with UL/CSA approved cable

**More Info**



**Form**

Form 44761

**General data**

|                   |  |
|-------------------|--|
| Standards         | DIN EN 61076-2-101 (M12)                 |
| Pollution Degree  | 3  |
| Temperature range | -25...+85 °C, depending on cable quality |

**Cables**

|                            |  |
|----------------------------|--|
| No./diameter of wires      | 2 × 2 × AWG22/7 (0.355)                        |
| Wire isolation             | PE (wh, ye, bl, or)                            |
| Jacket Color               | green  |
| Material (jacket)          | PUR (UL/CSA)                                   |
| Outer Ø                    | 6.7 mm ±5%                                     |
| Bend radius (moving)       | 12 × outer Ø                                   |
| Temperature range (fixed)  | -40...+80 °C                                   |
| Temperature range (mobile) | -30...+70 °C                                   |
| Cable identification       | 794  |
| Approval (cable)           | UL (AWM-Style 20233/10578), CSA; CE            |
| Cable weight [g/m]         | 75,87  |
| Material (wire)            | Cu wire, bare                                  |
| Resistor (core)            | max. 55 Ω/km (20 °C)                           |
| Construction (core)        | 7 × 0.254 mm                                   |
| Diameter (core)            | 2 × 2 × AWG22/7 (0.355)                        |
| AWG                        | similar to AWG 22                              |
| Material (wire isolation)  | PE   |
| Wire-Ø incl. isolation     | 1.55 mm ±5%                                    |
| Color/numbering of wires   | wh, ye, bl, or                                 |
| Shield                     | yes  |
|                            | min. 85%                                       |
| Material (jacket)          | PUR  |
| Outer-Ø (jacket)           | 6.7 mm ±5%                                     |
| Color (jacket)             | green  |
| chemical resistance        | good resistance to oil, gasoline and chemicals |
| thermal resistance         | flame retardant                                |
| Nominal voltage            | 300 V  |
| Temperature range (fixed)  | -40...+80 °C                                   |
| Temperature range (mobile) | -30...+70 °C                                   |
| Bend radius (fixed)        | 6 × outer Ø                                    |
| Bend radius (moving)       | 12 × outer Ø                                   |

**Technical Data**

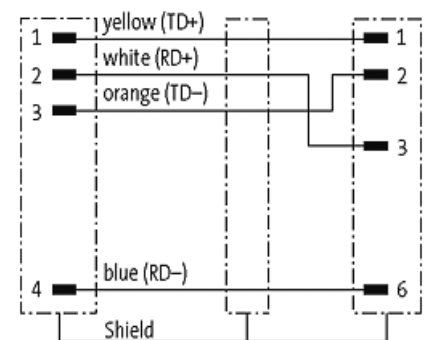
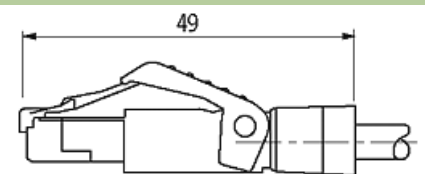
|                                    |  |
|------------------------------------|--|
| Operating voltage                  | max. 60 V DC   |
| Operating voltage (only UL listed) | max. 30 V DC   |
| Rated surge voltage                | 1.0 kV   |
| Operating current per contact      | max. 1.5 A (20 °C)   |
| Material group                     | IEC 60664-1, category I  |
| Transfer parameters                | CAT5, Class D (ISO/IEC 11801:2002), (EN 50173-1)                 |
| Transfer rate                      | up to 100 Mbit/s full duplex                                     |
| Coding                             | M12, D-coded   |
| Locking of ports                   | Screw thread (M12×1 mm) recommended torque 0.6 Nm, self-securing |
| Compression gland                  | M12 (SW13)   |

|   |                                       |
|---|---------------------------------------|
| Protection                                | IP67 (M12) - IP20 (RJ45)              |
| Locking material                          | Zinc die casting, matte nickel plated |
| Material                                  | PUR                                   |
| suitable for corrugated tube (internal Ø) | without                               |

#### Commercial data

|                       |               |
|-----------------------|---------------|
| country of origin     | DE            |
| customs tariff number | 85444290      |
| EAN                   | 4048879442169 |
| eClass                | 27061801      |
| Packaging unit        | 1             |

#### Sketch



Male



Male



Product may differ from Image